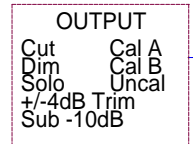
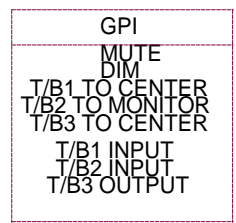
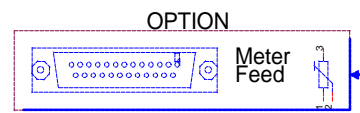
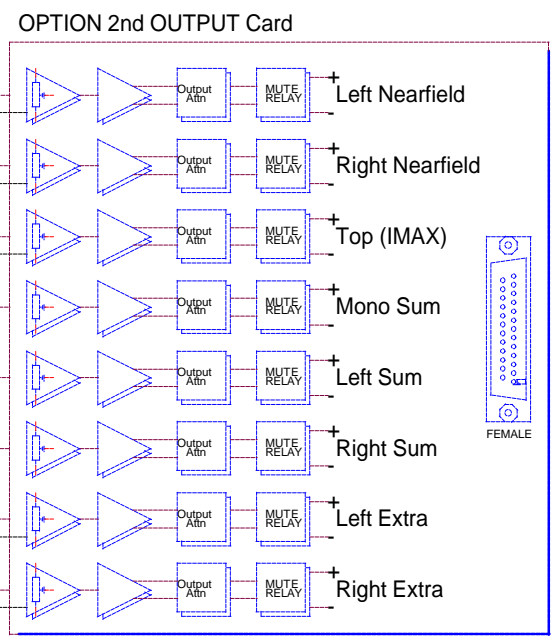
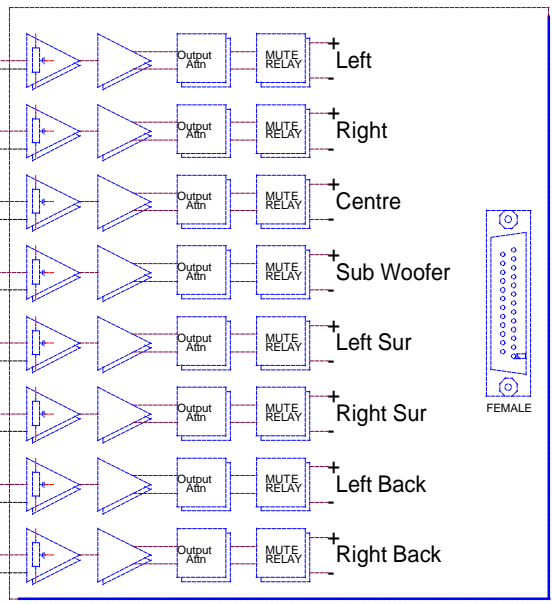
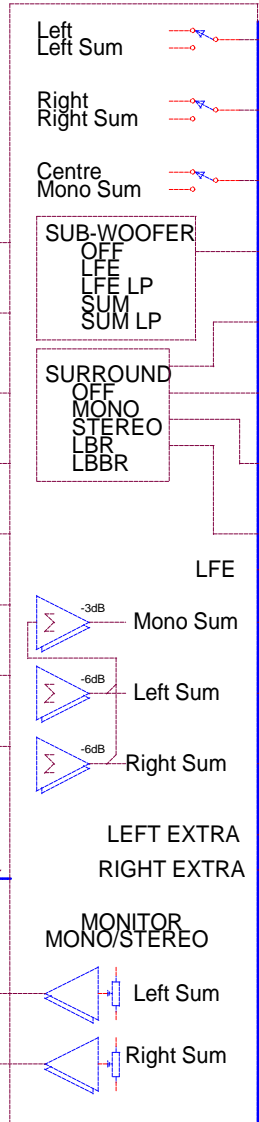
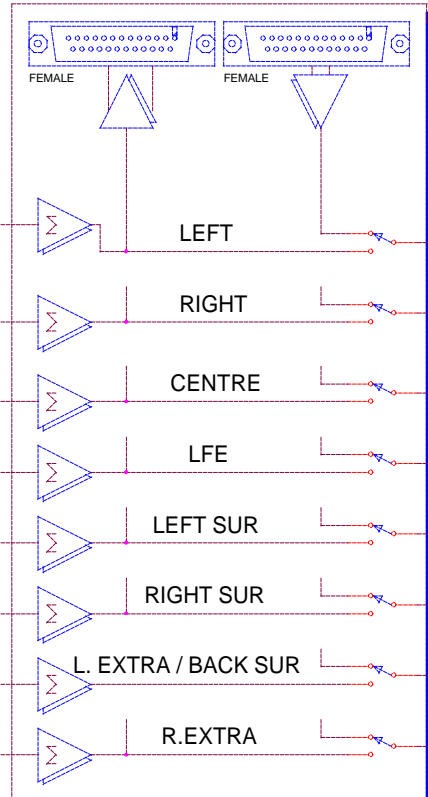
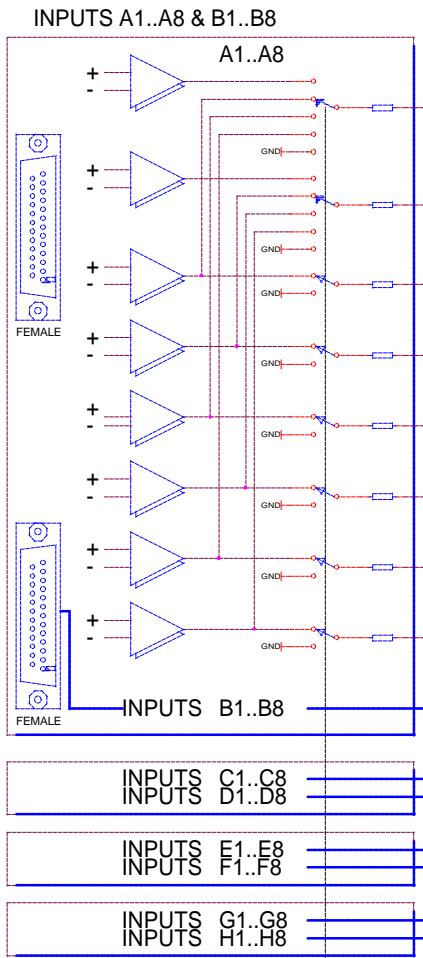


INPUTS

OPTION INSERT SEND RETURN

FORMAT SELECTION

OUTPUTS



MCU-16-8	16 Input 8 Output
MCU-32-8	32 Input 8 Output
MCU-32-16	32 Input 16 Output
MCU-48-16-1	48 Input 16 Output with Insert
MCU-64-16-1	64 Input 16 Output with Insert

PEC GROUP
DIRECT GROUP